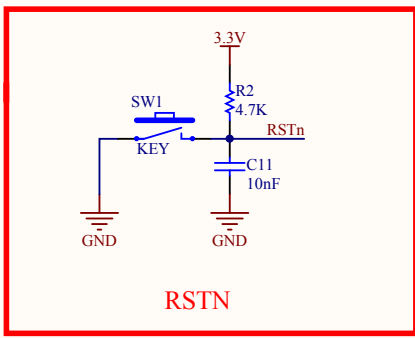
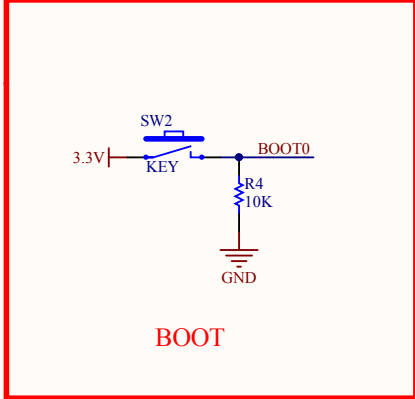


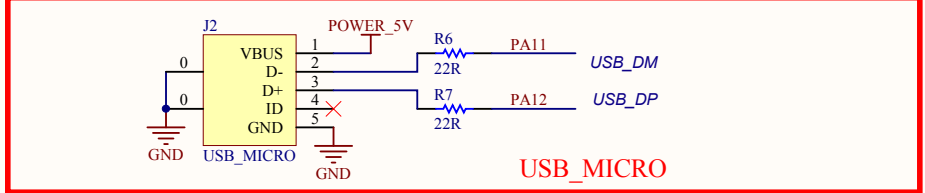
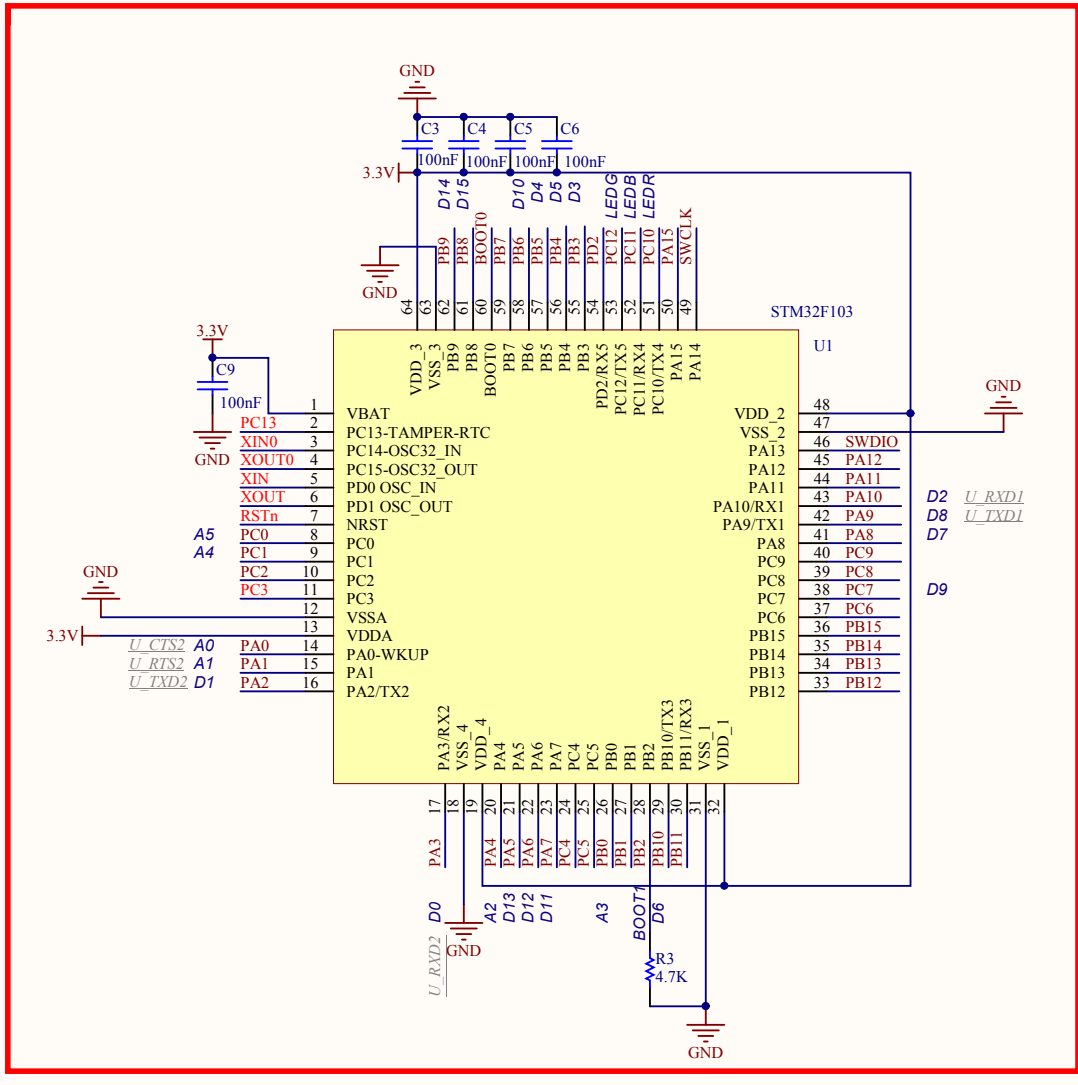
Crystal



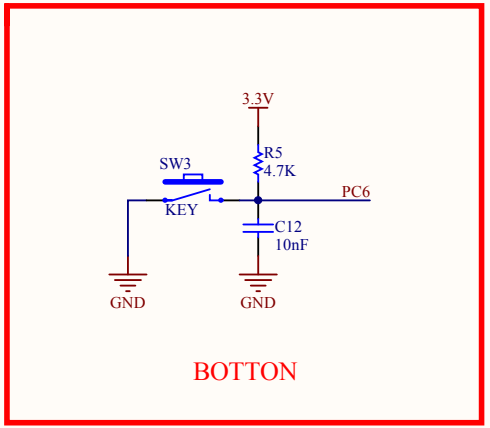
RSTn



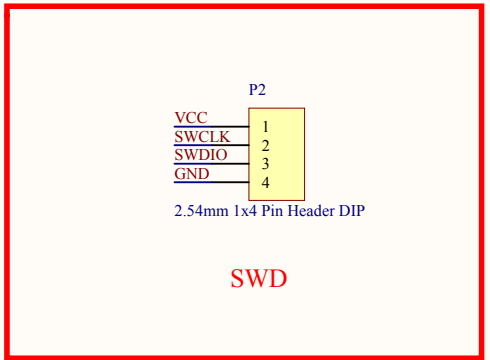
BOOT



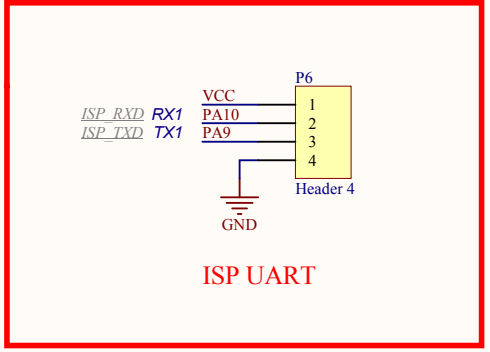
USB_MICRO



BOTTOM

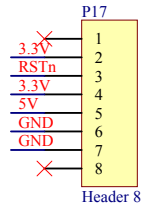
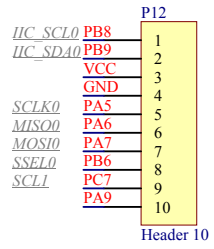


SWD

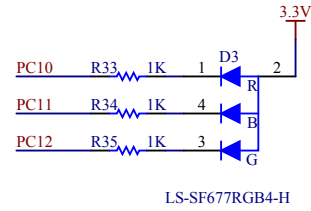


ISP UART

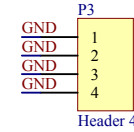
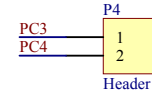
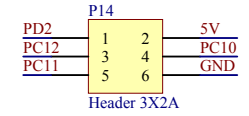
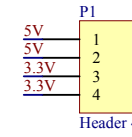
Title		0755-86528386	
W5500&STM32EVb		support@wisioe.com	
Size	Number	Revision	
A4	www.wisioe.com	V1.1	
Date:	2018/8/30	Sheet of 3	
File:	D:\program\...\MCU.SchDoc	Drawn By: wisioe	



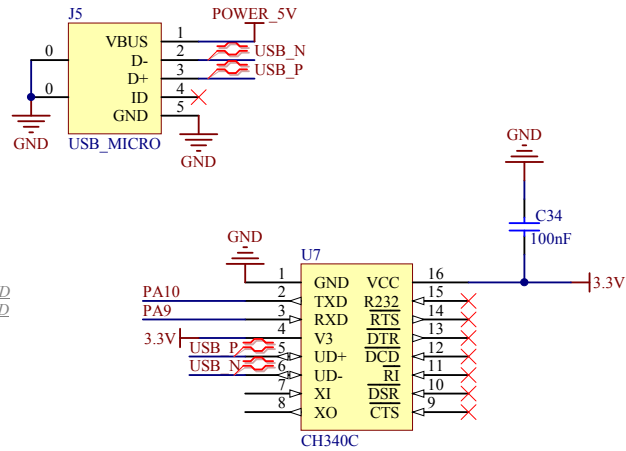
Arduino Terminal



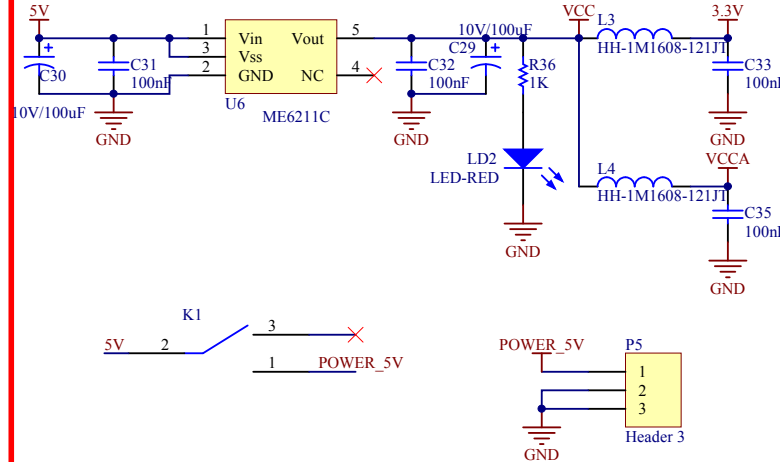
RGB LED



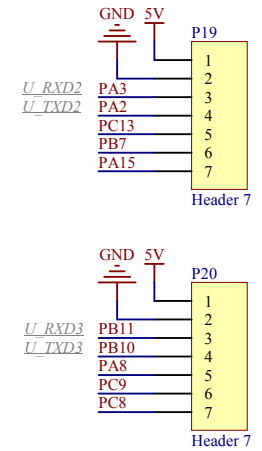
Connection pin



USB

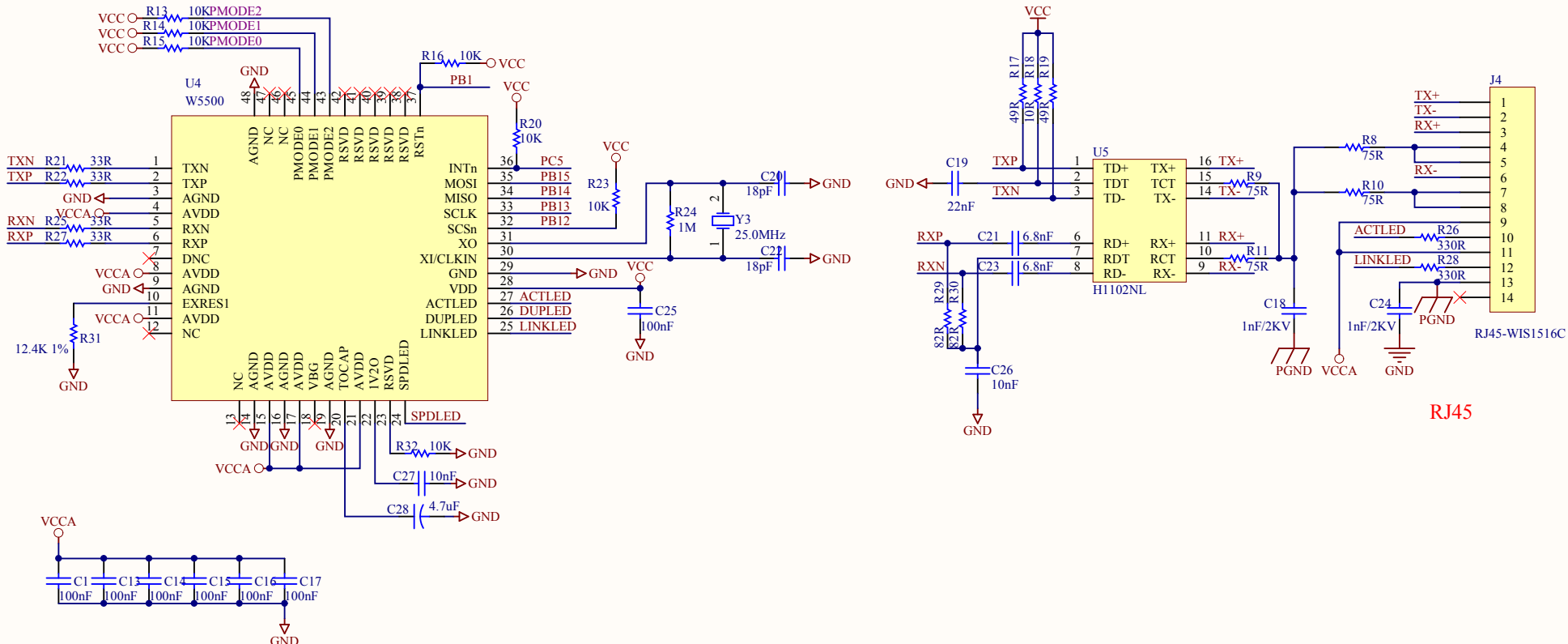


Power



USART

Title		0755-86528386	
W5500&STM32EVB		support@wisioe.com	
Size	Number	Revision	
A4	www.wisioe.com	V1.1	
Date:	2018/8/30	Sheet of 3	
File:	D:\program\...\power and port.SchDoc	Drawn By: wisioe	



Title		0755-86528386	
W5500&STM32EV6B		support@wisioe.com	
Size	Number	Revision	
A4	www.wisioe.com	V1.1	
Date:	2018/8/30	Sheet of	3
File:	D:\program\...\W5500.SchDoc	Drawn By:	wisioe